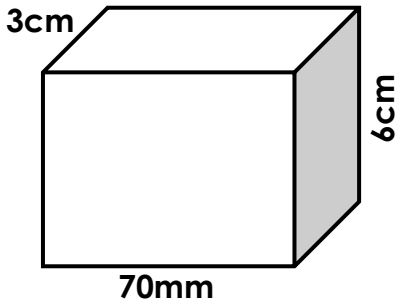


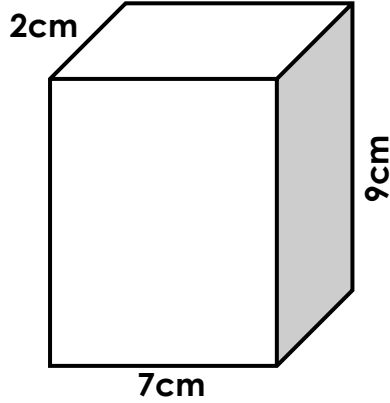
# Volume of a Cuboid

1. Circle the odd one out.

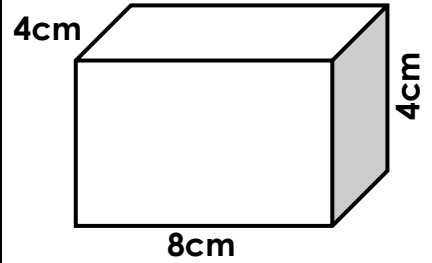
A.



B.



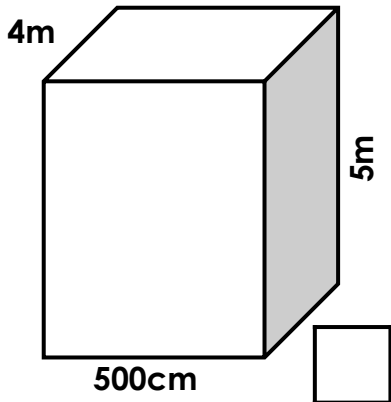
C.



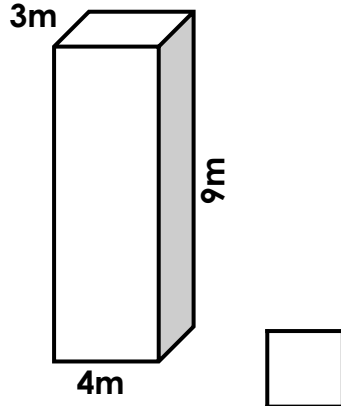
*not to scale*

2. Mark with an 'x' the cuboids which have a volume greater than  $100\text{m}^3$ .

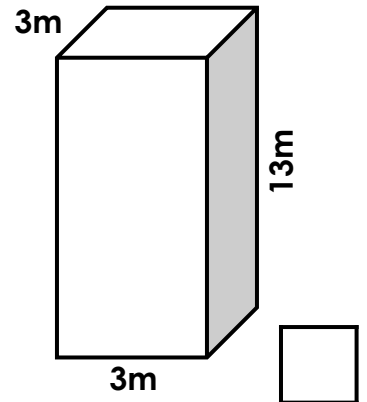
A.



B.



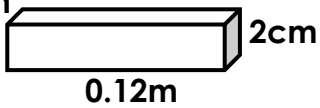
C.



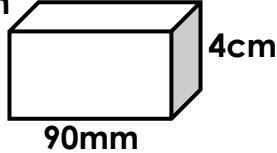
*not to scale*

3. Three pairs of shapes make a composite 3D shape with a volume  $< 200\text{cm}^3$ . Which pairs of shapes are they?

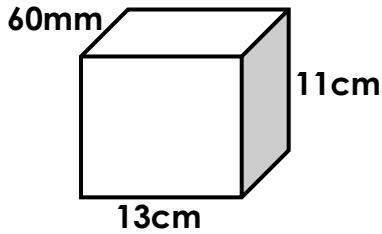
A. 1cm



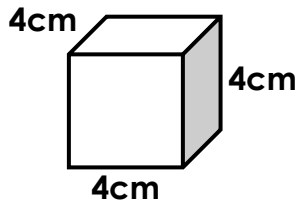
B. 3cm



C.



D.



and

and

and

*not to scale*