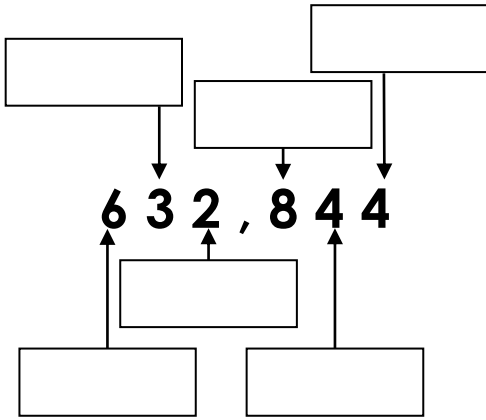


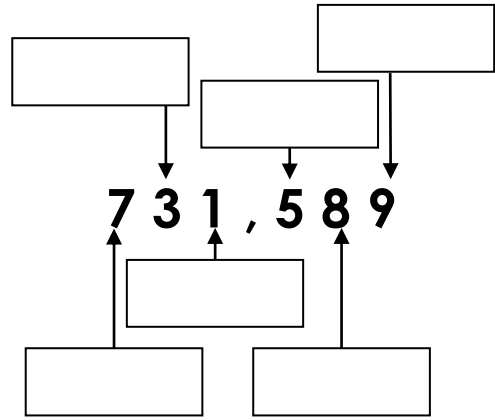
# Numbers to 1,000,000

1a. Write the value of the digits in the number below.



VF

1b. Write the value of the digits in the numbers below.



VF

2a. Write the number that is being represented place value chart.

HTh	TTh	Th	H	T	O
●● ●● ●	●●	●● ●● ●●	●● ●● ●	●● ●● ●● ●● ●	

VF

2b. Write the number that is being represented place value chart.

HTh	TTh	Th	H	T	O
●●	●● ●● ●● ●		●● ●	●● ●● ●●	●● ●● ●● ●●

VF

3a. Complete the number sentences.

$$453,251 = \underline{\hspace{2cm}} + \underline{\hspace{2cm}} + \underline{\hspace{2cm}} + 251$$

$$531,000 = \underline{\hspace{2cm}} + 30,000 + \underline{\hspace{2cm}}$$

$$600,000 + 2,000 + 400 + 50 = \underline{\hspace{2cm}}$$

$$20,000 + \underline{\hspace{2cm}} + 100 + 30 = 28,130$$

VF

3b. Complete the number sentences.

$$215,752 = \underline{\hspace{2cm}} + 15,000 + \underline{\hspace{2cm}} + \underline{\hspace{2cm}} + \underline{\hspace{2cm}}$$

$$282,000 = \underline{\hspace{2cm}} + 2,000$$

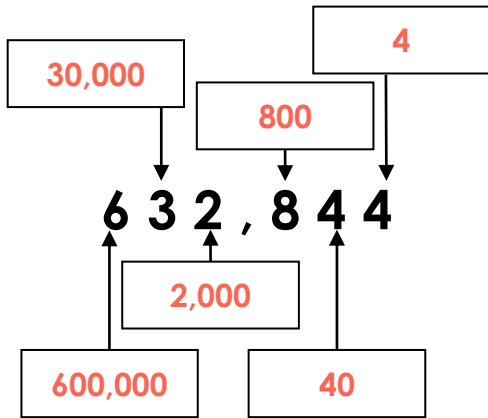
$$100,000 + 7,000 + 300 = \underline{\hspace{2cm}}$$

$$60,000 + \underline{\hspace{2cm}} + 200 + 50 = 64,250$$

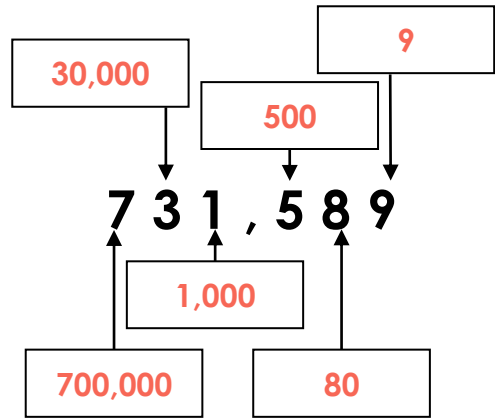
VF

# Numbers to 1,000,000

1a.



1b.



2a. 526,590

2b. 270,368

3a. 400,000, 50,000, 3,000;

500,000, 1,000;

602,450;

8,000

3b. 200,000, 700, 50, 2;

280,000;

107,300;

4,000